

ART.3094



Diverter piston valve with presetting, suitable for thermo-electric actuator.

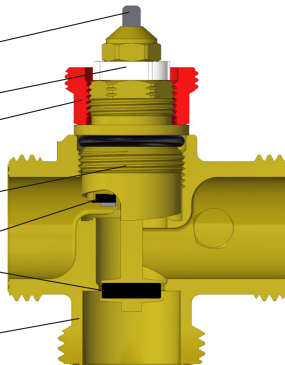
- Connections: 1" male
- Side connections for temperature probe
- Numbered ring for setting
- Regulation key

1 DESCRIPTION

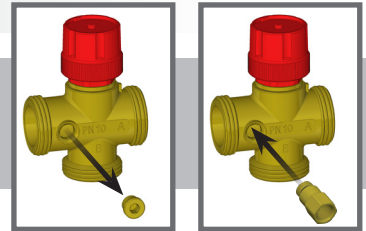
The thermo-electric piston valve Art.3094 can be used to intercept the fluid in heating and cooling systems. By rotating the red handle, it is possible to divert the flow inside the valve. For an automatic flow control FAR offer a range of thermo-electric actuators with different features, according to the type of system where they are going to be installed. The valve is equipped with a PRESETTING system, allowing the water flow to be reduced thanks a numbered setting ring placed onto the internal mechanism.

Construction materials

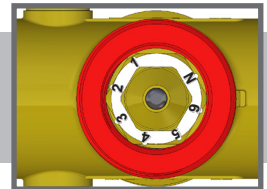
- Pin: AISI 303 stainless steel
- Numbered setting ring : ABS
- Regulating handle and threaded ring: ABS
- Internal body CW614N brass
- Sealing O-ring: EPDM
- Body: CW617N brass



The valve side have plugs for the installation of the seating for the temperature probe Art. 2352.

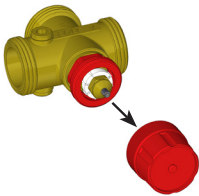


By removing the handle you can access the setting ring (numbered from 1 to 6).



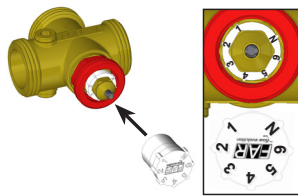
2 INSTALLATION

1



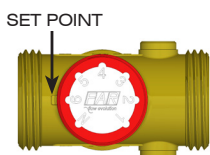
Completely unscrew the red handle

2



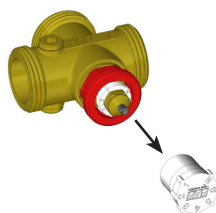
Insert the regulating key included in the package, by aligning the letter N on the key with the one on the valve

3



Turn the key clockwise or anticlockwise, moving it to the desired value, which must be aligned with the set point

4



Remove the key and replace the handle or the thermo-electric actuator

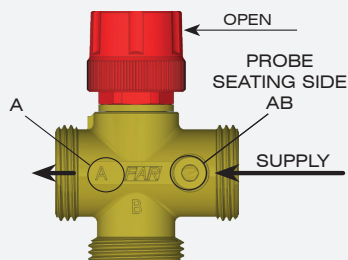
DIVERTING CONFIGURATION

⚠ NB For proper operation of the diverter valve, respect the flow input on **AB** connection (probe seating side).

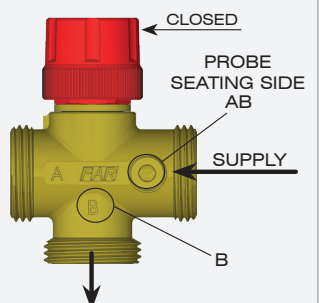
Using the valve in diverting configuration, in the open position, the water flow will come from AB to A.

On the contrary, in the closed position, the flow will be diverted from AB to B.

STRAIGHT SUPPLY (A)



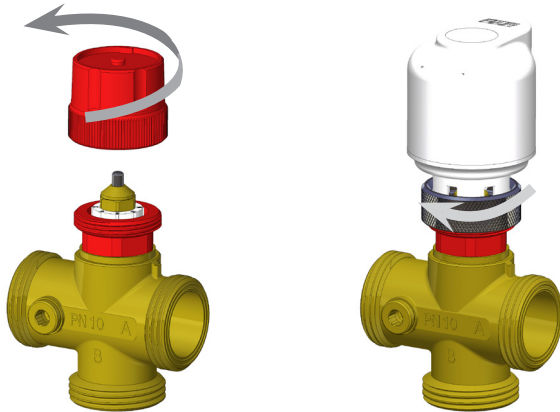
DIVERTING (B)



Thermo-electric actuators

In order to install the actuators on piston valves, remove the manual handle from the valve and screw the actuator ring direct onto the red threaded support. Slightly screw the actuator by hand and tighten the ring.

Do not use parrot wrenches, pliers or other similar tools.



2 wiring ON-OFF thermo-electric actuators



CODE	VOLTAGE	TYPE	TIME
1909	24V	N.C.	180s
1919	230V	N.C.	180s
1929	24V	N.A.	180s
1939	230V	N.A.	180s

*NC: normally close
*NA: normally open

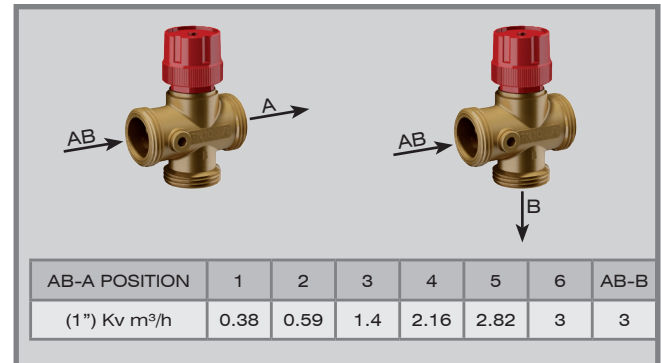
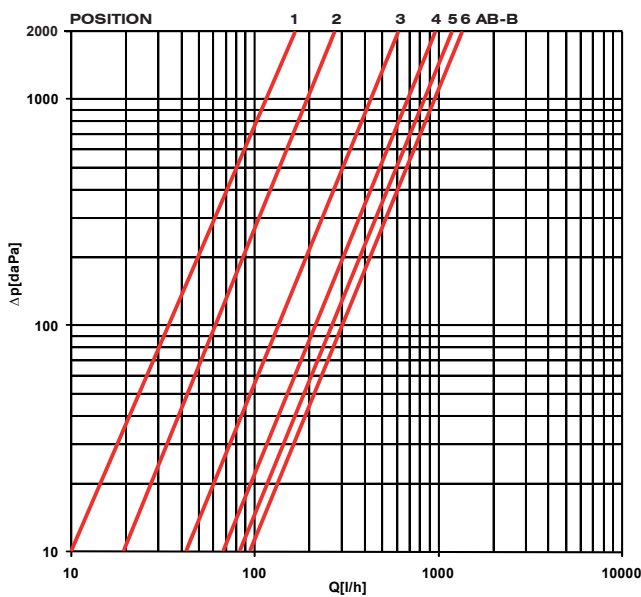
4 wiring ON-OFF thermo-electric actuators with auxiliary micro-switch



CODE	VOLTAGE	TYPE	TIME
1913	24V	N.C.	90s
1914	24V	N.C.	180s
1923	230V	N.C.	90s
1924	230V	N.C.	180s

3 FLUID DYNAMIC FEATURES

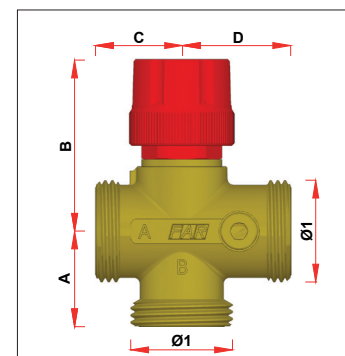
DIVERTER VALVE CONFIGURATION



4 TECHNICAL FEATURES

Max. temperature: 95°C
 Max. Pressure: 16 bar
 Δp max: 1,5 bar
 Body: CW617N brass
 Internal mechanism: CW614N brass
 Ring and handle: ABS
 Sealing O-ring: EPDM

5 DIMENSIONAL FEATURES



* = with thermo-electric actuator

ART. 3094

CODE	Ø1	A	B	C	D
3094 1	1"	31	56 (95*)	28	35